

# KCH20 & KCH30 CONDENSATE EVAPORATOR KITS

## DESCRIPTION

High-Capacity Condensate evaporator kits are available for attachment to the bottom of Micro-Mini, Air or Water Cooled Panel Mounted Air Conditioners, and Water-to-Air Heat Exchangers. Condensate is collected, vaporized and discharged to the surrounding air. All units include a safety overflow drain which discharges excessive condensate when required. Overflow may occur when cabinets are poorly sealed, or when cabinet doors are frequently opened, permitting the invasion of moisture-laden air. Built-In Condensate Evaporators are standard equipment on Kooltronic TrimLine Series, Horizontal Top-Mounted, Profile Series models and selected Guardian/GuardianX Series models.

## FEATURES

- No more water on the floor
- No more drains required\*
- Simple installation on your new or existing Kooltronic Air Conditioner
- Self-regulating heater conserves power
- Requires no thermostat
- UL component recognition on your fan and heater
- 115 and 230 volt models available
- Removable cord set allows for easy cleaning of evaporator pan

\*All units include a safety overflow drain which discharges excessive condensate when required. Overflow may occur when cabinets are poorly sealed or when cabinet doors are frequently opened, permitting the invasion of moisture-laden air.

## UNIT APPLICATIONS

KCH20 & K2CH20 for use on Kooltronic Micro-Mini Air Conditioners.

KCH30 & K2CH30 for use on Kooltronic Panel Mount Air Conditioners and Water-to Air Heat Exchangers.

## CAPACITY

Units capable of evaporating up to 8 ounces of water per hour under normal operating conditions.



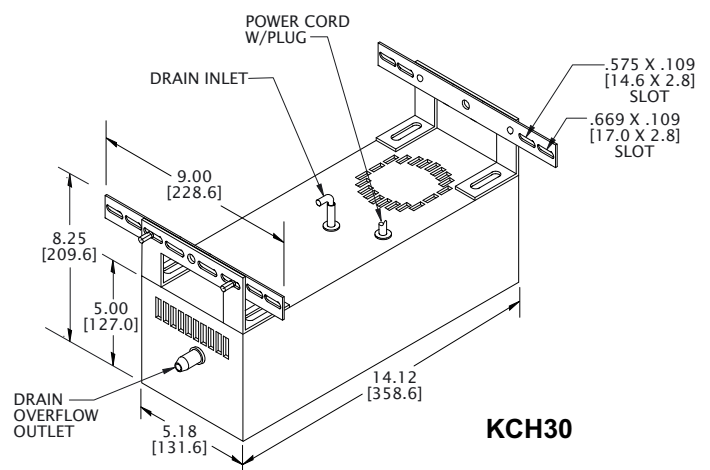
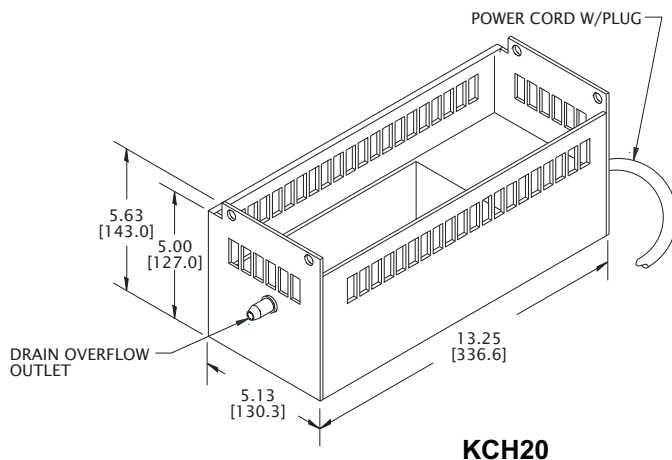
Find additional information on this model at [kooltronic.com](http://kooltronic.com), or use the Technical Documents QR code below.

Technical Documents



## DRAWINGS

Dimensions, inches [mm], are for reference only and are subject to change.



kch20-kch30.qxd (9/25/19) (CDR: 20179)



KCH30

KCH30 mounted

## ELECTRICAL REQUIREMENTS

KCH20	115 Volt	2.5 amps	50/60 Hz
K2CH20	230 Volt	1.2 amps	50/60 Hz
KCH30	115 Volt	2.6 amps	50/60 Hz
K2CH30	230 Volt	1.3 amps	50/60 Hz

- Voltage need not match Air Conditioner as long as unit is connected to a matching power source.
- 115 Volt units are furnished with NEMA 5-15P plugs.
- 230 Volt units are furnished with NEMA 6-15P plugs.

(For wiring directly to Air Conditioners, contact KOOLTRONIC)